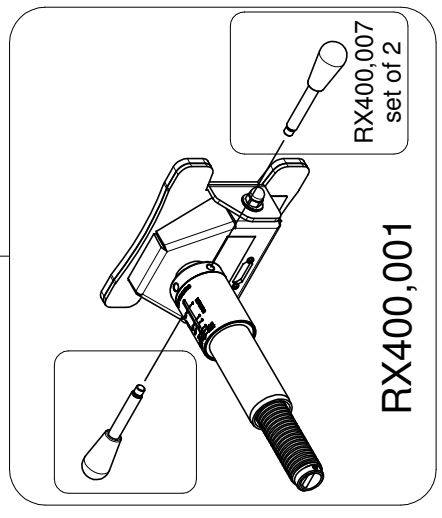
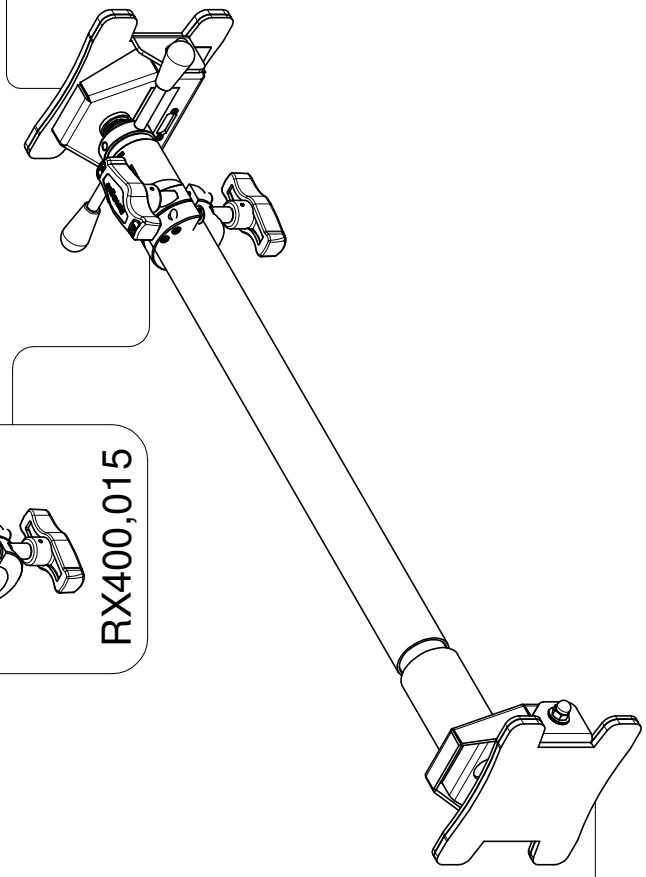
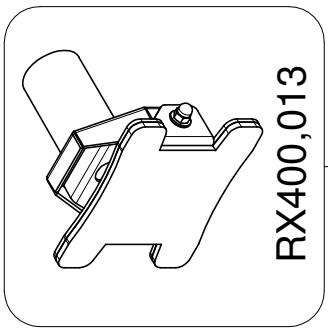
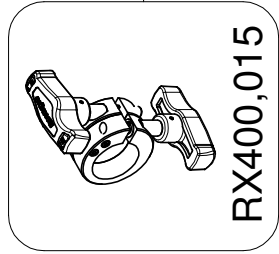



**ART. X401**  
For serial number  
from A0655639



For extension:  
0.8 - 1.3m (2.62-4.26 ft)

stop



RX400,027BL