



ART. MVMXPROA42W

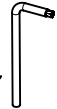
For serial number
from A5234418

ART. MVMXPROA42WUS

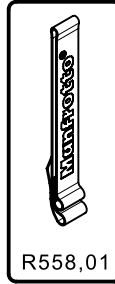
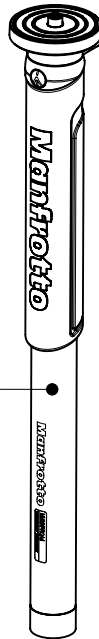
For serial number
from A5216128

Tool (TORX T25) included in:

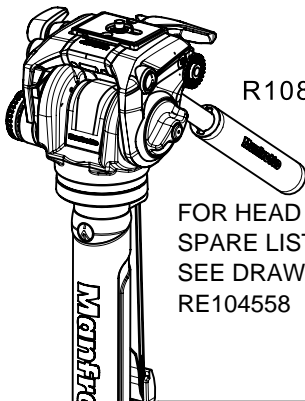
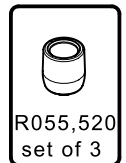
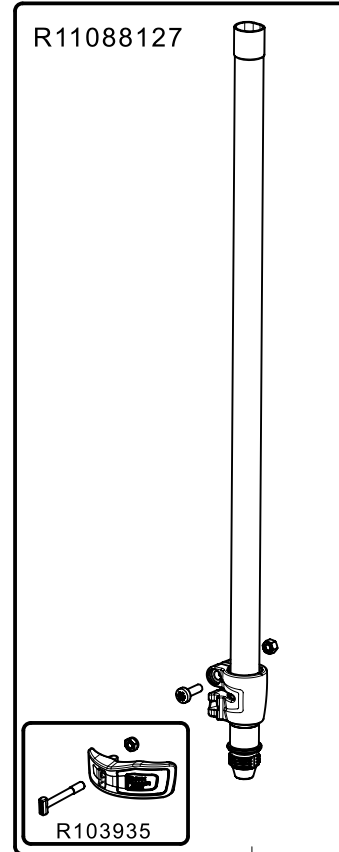
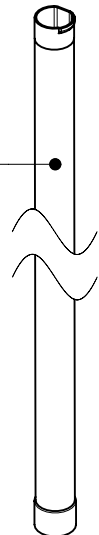
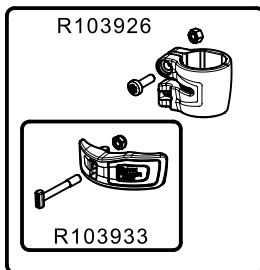
- Spare part R103926
- Spare part R103927
- Spare part R11088127



R002,36

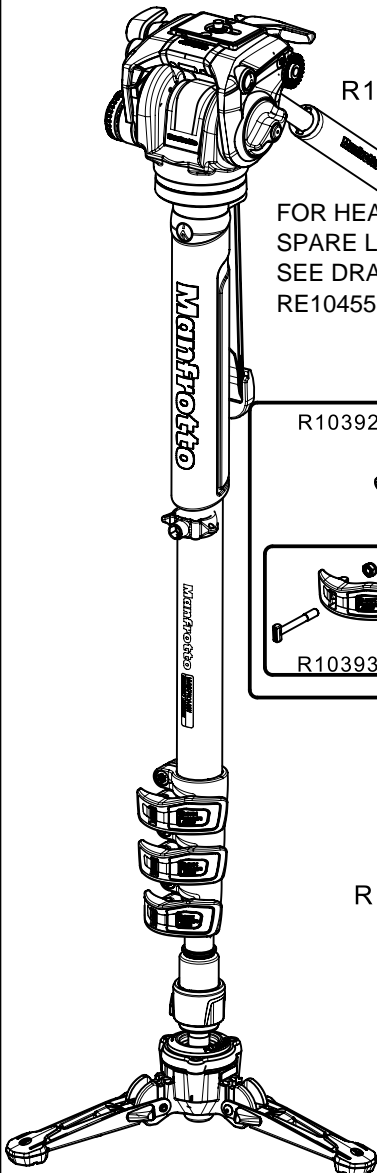
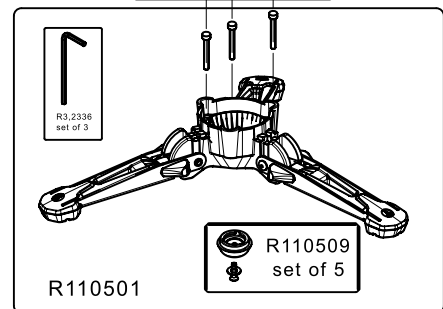
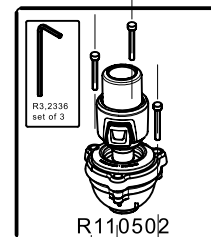
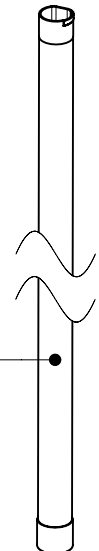
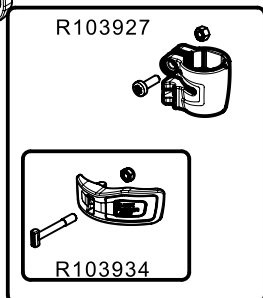


R108802L7
for MVMXPROA42W
R108802L8
for MVMXPROA42WUS



R1088121B

FOR HEAD
SPARE LIST
SEE DRAWING
RE104558



R1088124B

BOX set of 6

R110594,01 for MVMXPROA42W
R110594,02 for MVMXPROA42WUS