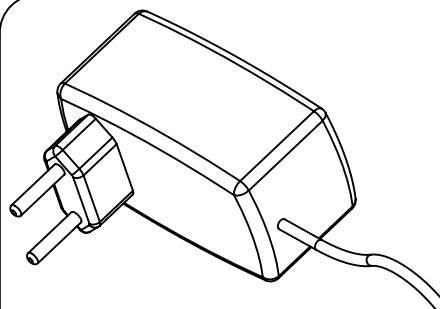
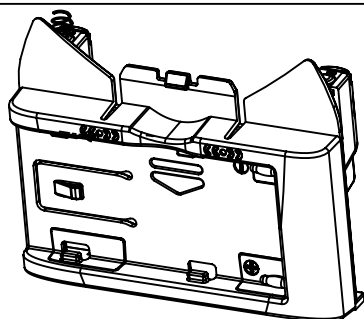


R109831



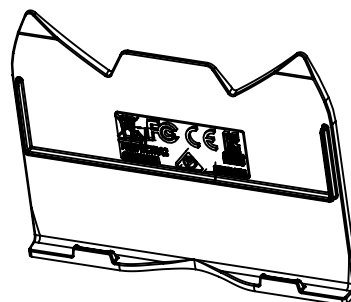
ADAPTOR12V1.25A



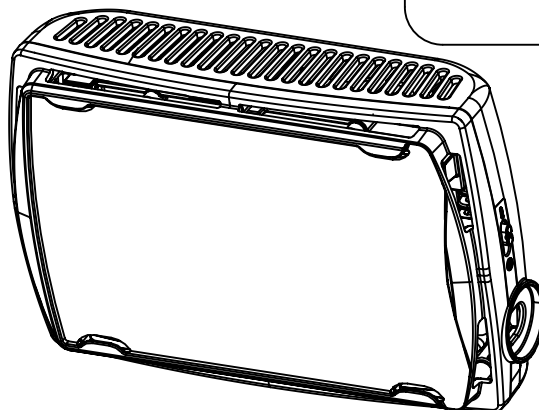
art. MLBATTADT-L7.2V



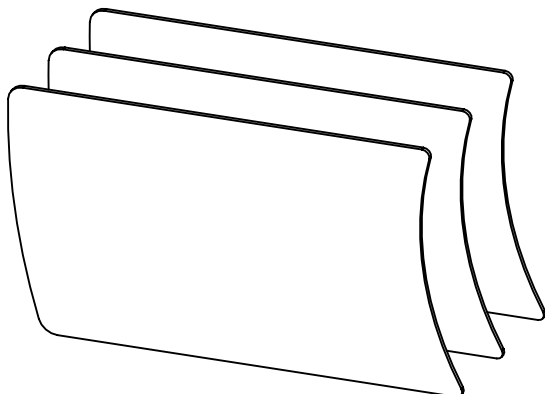
R3,4940K
Set of 5



R109631



R109632



R109630

BOX
R109610