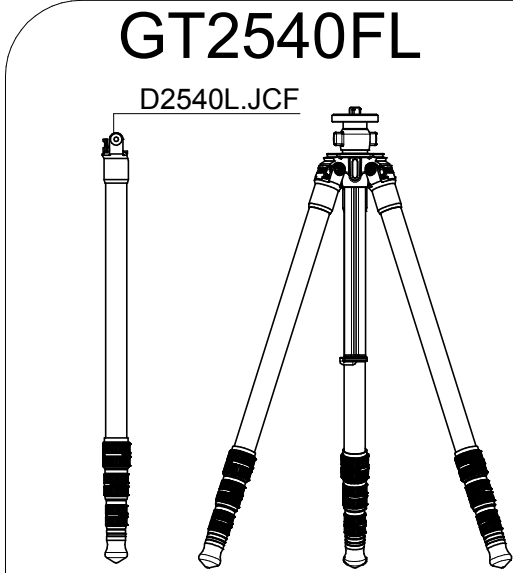


- A**
D02.JG3
complete tripod
- B**
D1220.29B3
complete tripod
- C**
D1,0600B3
complete tripod
- D**
D1297.FJ
one leg



For serial numbers from G0000001