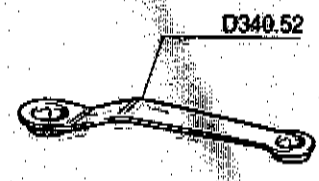
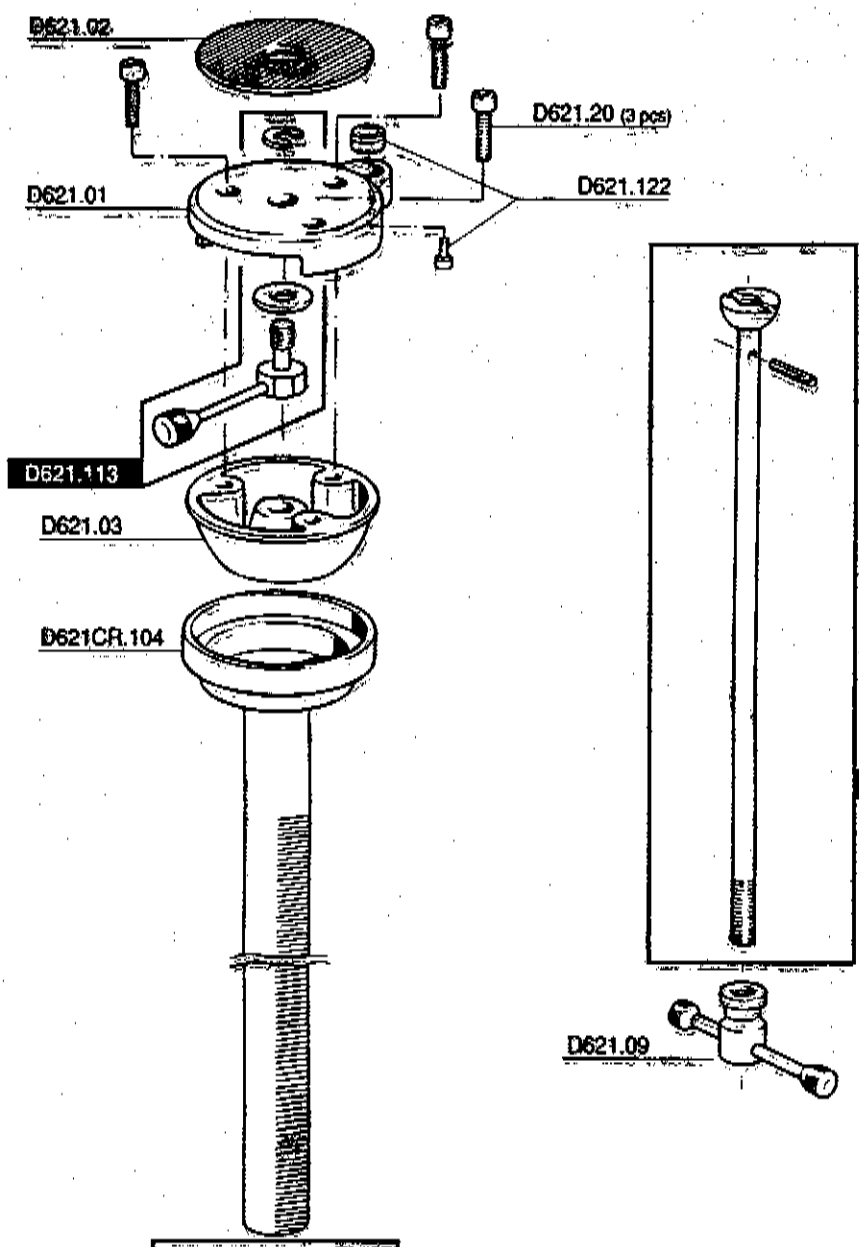


D621CR-110-08-84

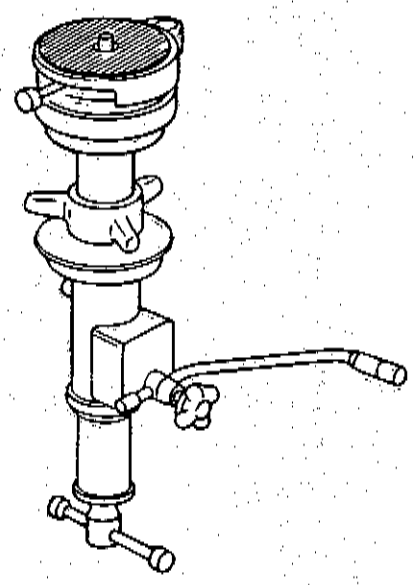
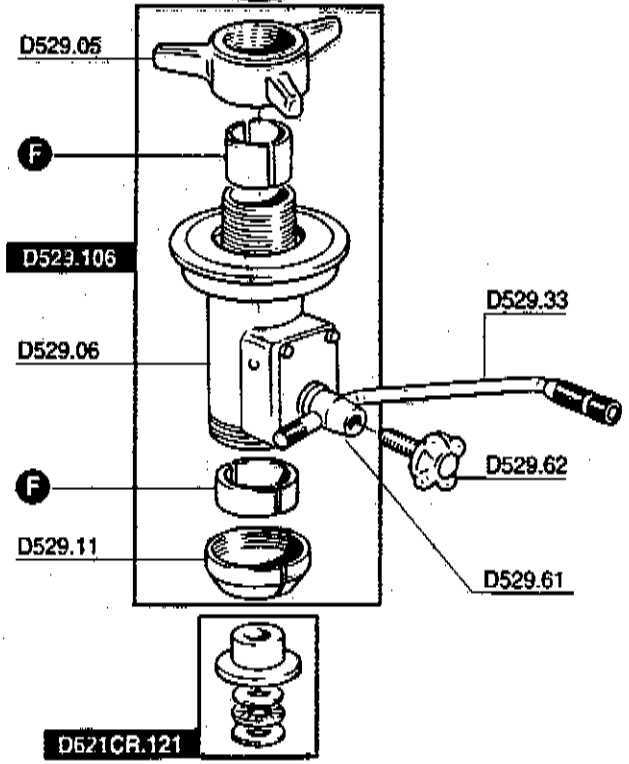


D621CR.110

KIT

(F) (S) + (S) D529.JS (2 pcs)

LEVELLING BASE



G 621 CR