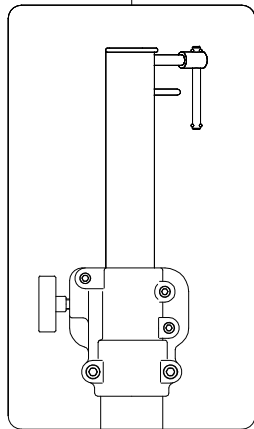
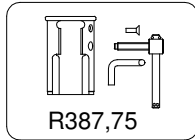


Avenger

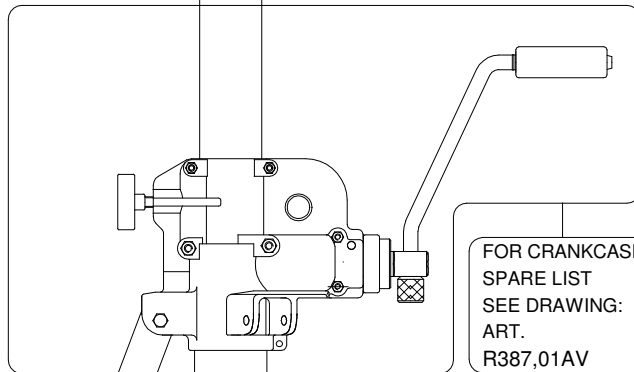
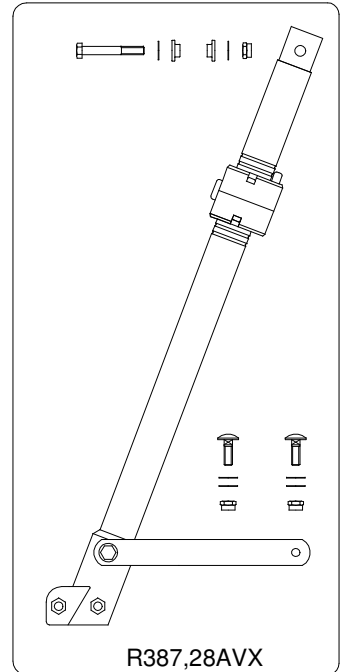
ART.
B250X

2005-09-30

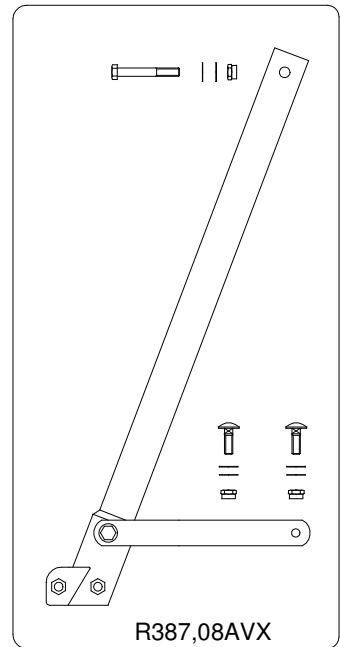
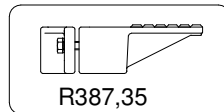
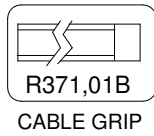


FOR 3rd SCT
SPARE LIST
SEE DRAWING:
ART.
R387,13AV

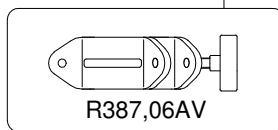
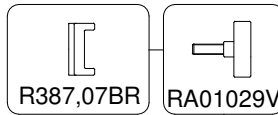
FOR GEARED COLUMN
ORDER CODE:
R387,19



FOR CRANKCASE
SPARE LIST
SEE DRAWING:
ART.
R387,01AV



R387,66X



FOR WHEEL
SPARE LIST
SEE DRAWING:
ART. 374

