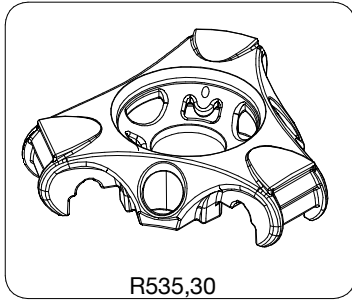




ART. 535-001

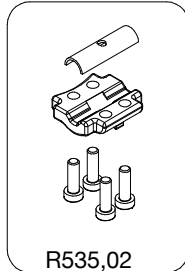
For serial number
from A2751089



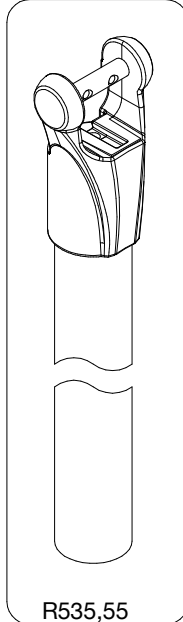
R535,30



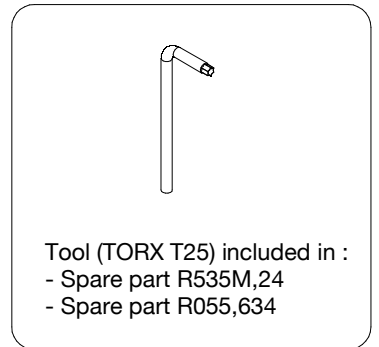
R535,04



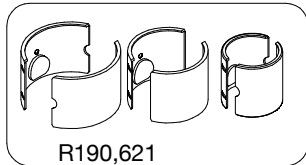
R535,02



R535,55

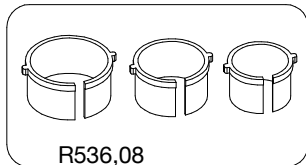


Tool (TORX T25) included in :
- Spare part R535M,24
- Spare part R055,634



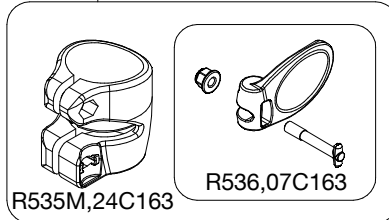
R190,621

TO BE MOUNTED
ON TUBES



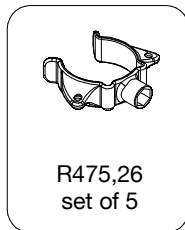
R536,08

TO BE MOUNTED
ON TUBES

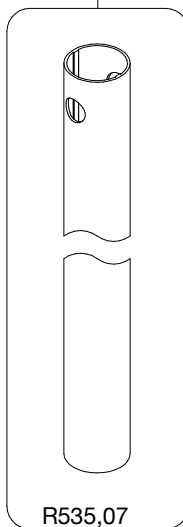


R535M,24C163

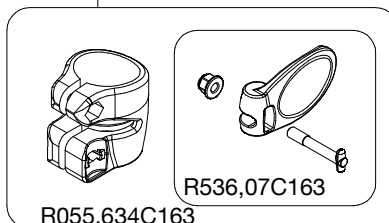
R536,07C163



R475,26
set of 5

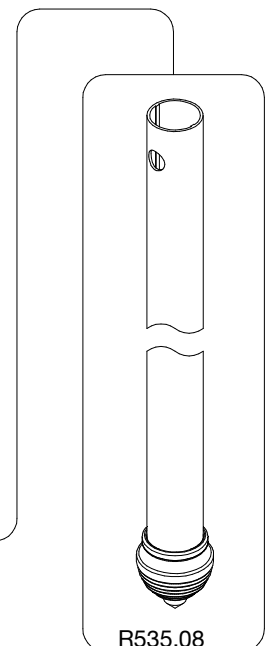


R535,07



R055,634C163

R536,07C163



R535,08

