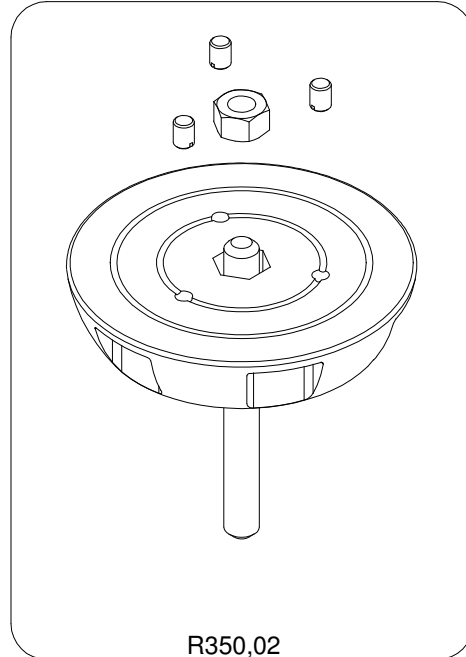
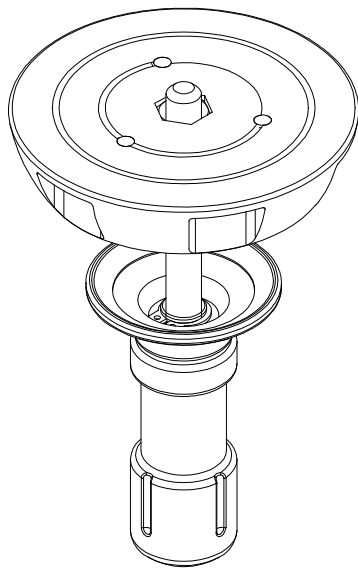


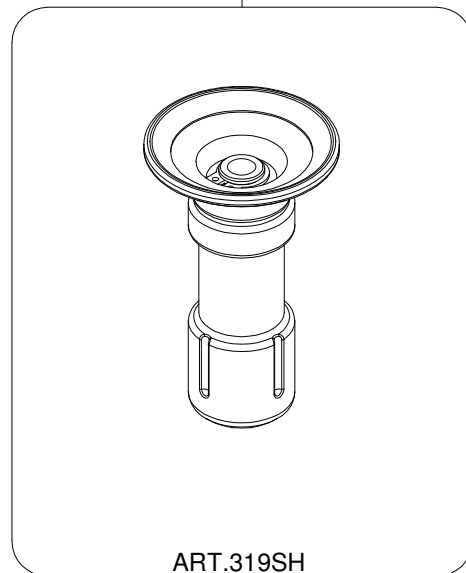
Manfrotto nord

ART.
500BALLSH

2004-08-30



R350,02



ART.319SH