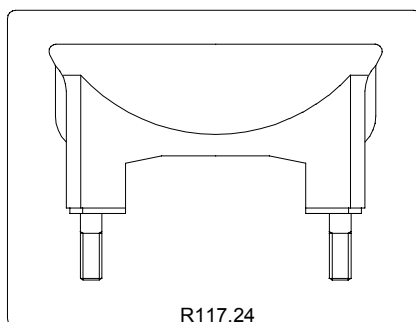
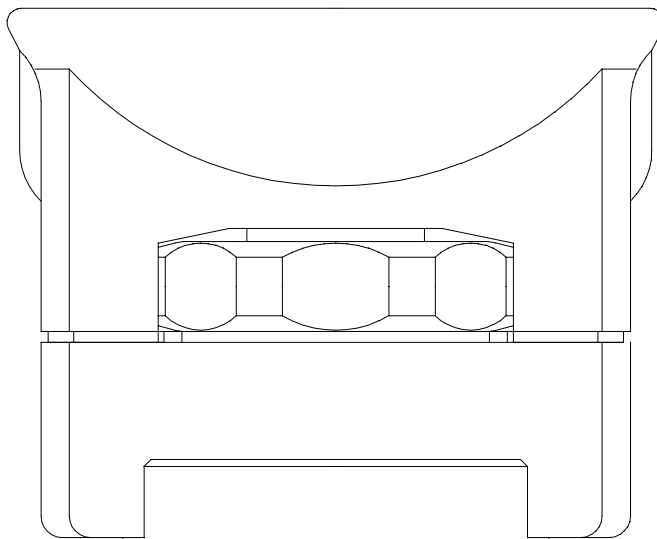


Manfrotto nord

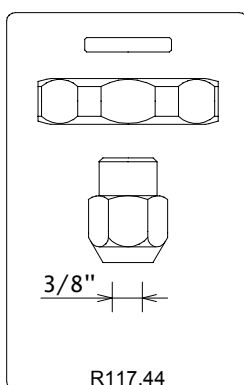
ART.
325

VERSIONE:002

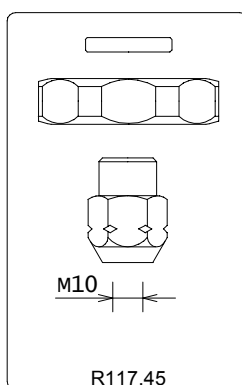
DEL.:1995-01-30



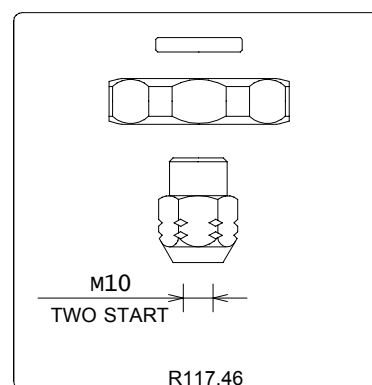
R117.24



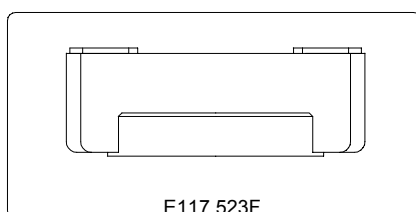
R117.44



R117.45



R117.46



E117.523F