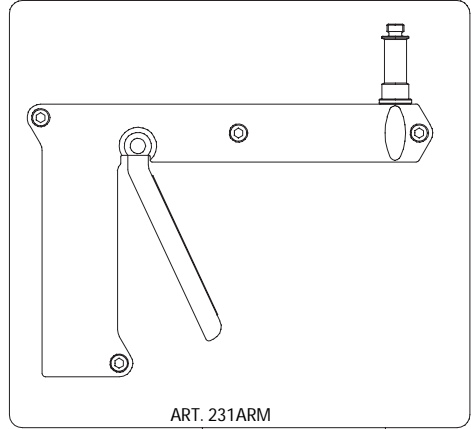
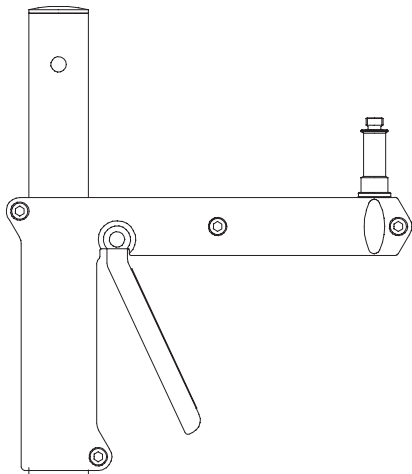
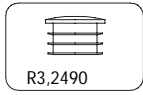
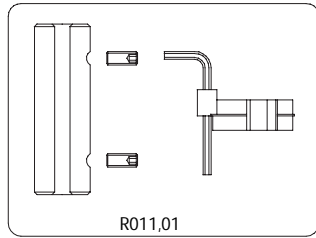
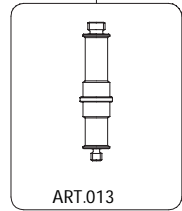
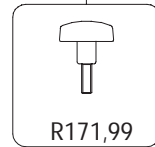


2005-09-30



ART. 231ARM

R231,08



R231,08

