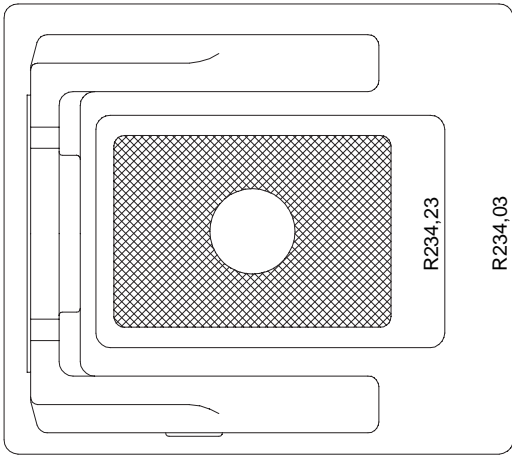
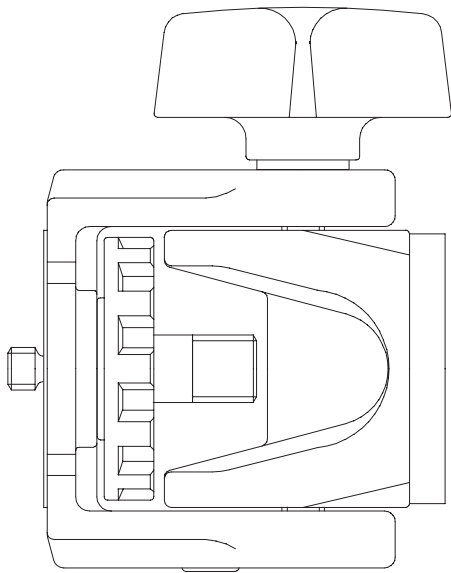


Manfrotto nord

ART.
234

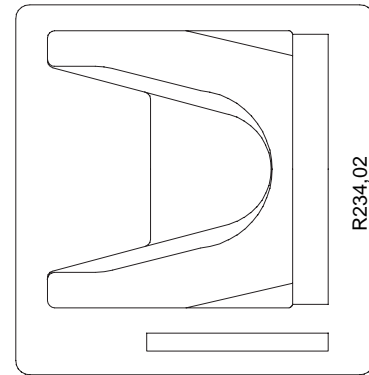
2005-05-10



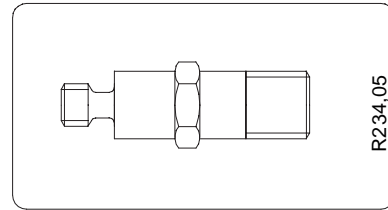
R234,03

WITH RUBBER PAD

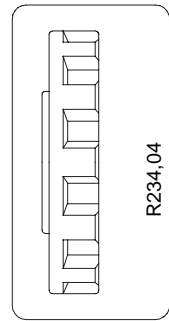
R234,23



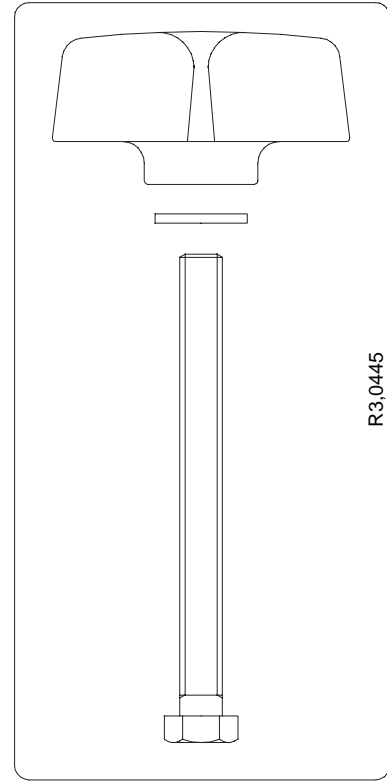
R234,02



R234,05



R234,04



R3,0445