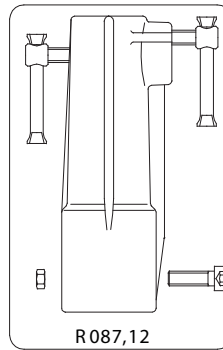
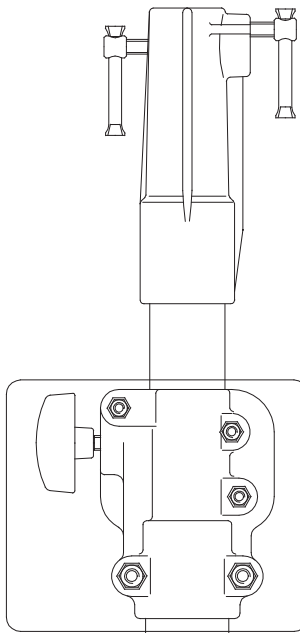
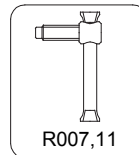


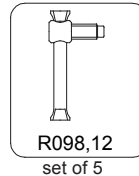
2005-09-30



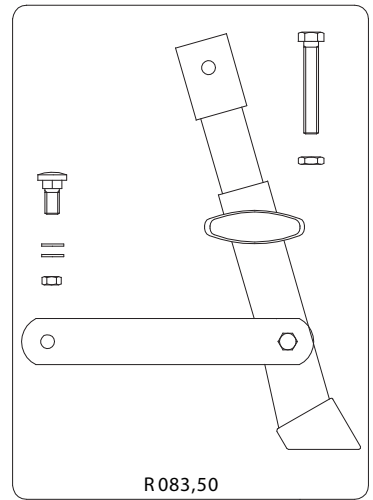
R087,12



R007,11  
set of 5



R098,12  
set of 5

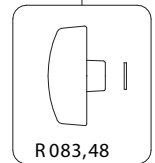


R083,50

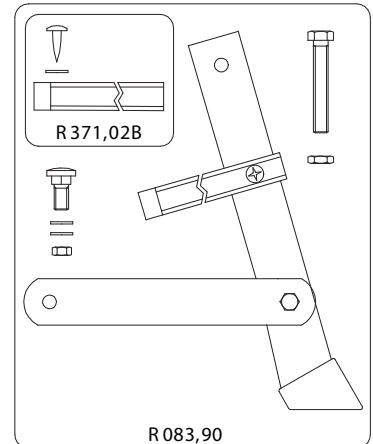
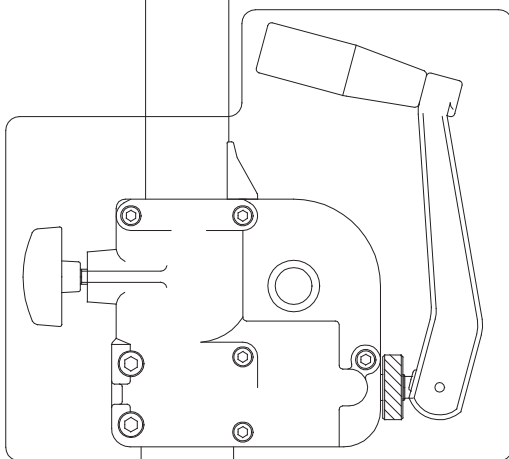
FOR 3rd SCT  
SPARE LIST  
SEE DRAWING:  
ART.  
R087,22

FOR GEARED COLUMN  
SPARE LIST  
SEE DRAWING:  
ART.  
R087,91

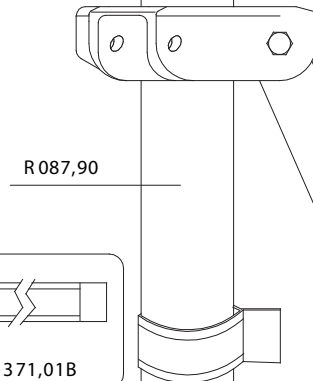
FOR CRANKCASE  
SPARE LIST  
SEE DRAWING:  
ART.  
R083,72



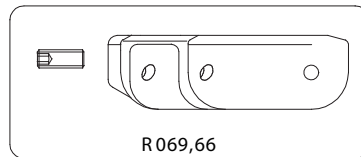
R083,48



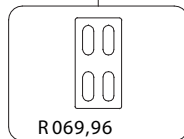
R083,90



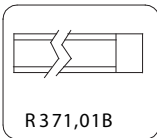
R087,90



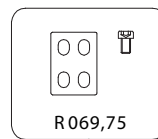
R069,66



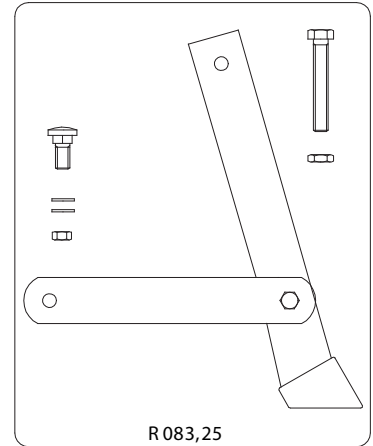
R069,96



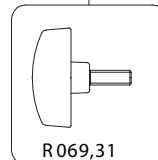
R371,01B  
CABLE GRIP



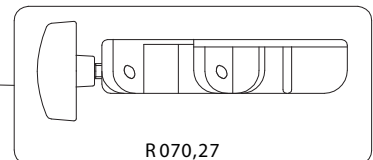
R069,75



R083,25



R069,31



R070,27