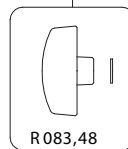
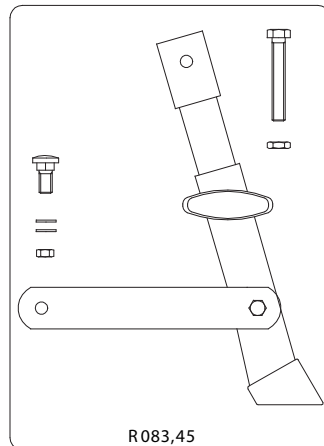
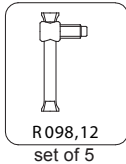
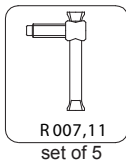
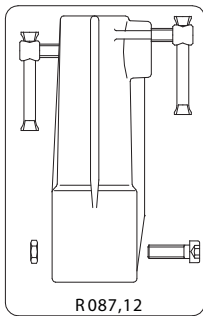
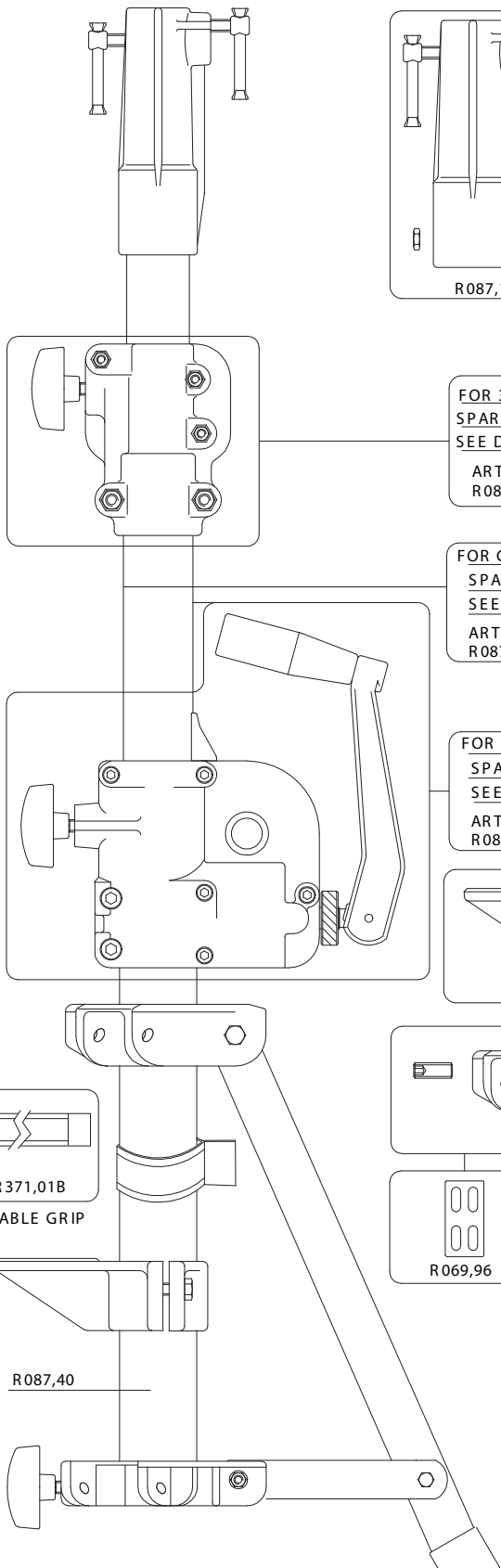


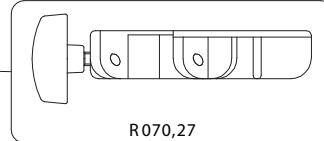
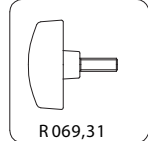
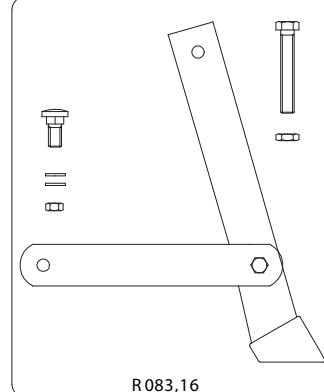
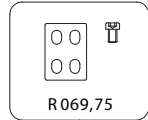
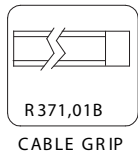
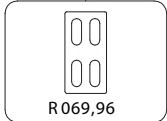
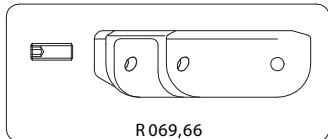
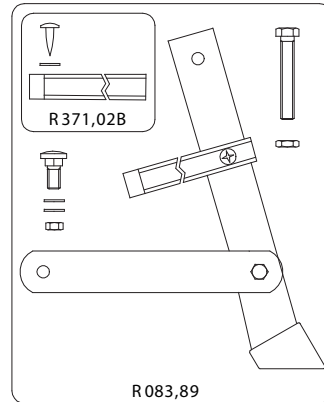
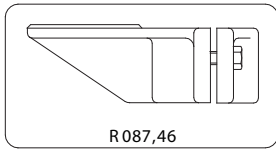
2005-09-30



FOR 3rd SCT  
SPARE LIST  
SEE DRAWING:  
ART.  
R087,03

FOR GEARED COLUMN  
SPARE LIST  
SEE DRAWING:  
ART.  
R087,44

FOR CRANKCASE  
SPARE LIST  
SEE DRAWING:  
ART.  
R083,72



R087,40