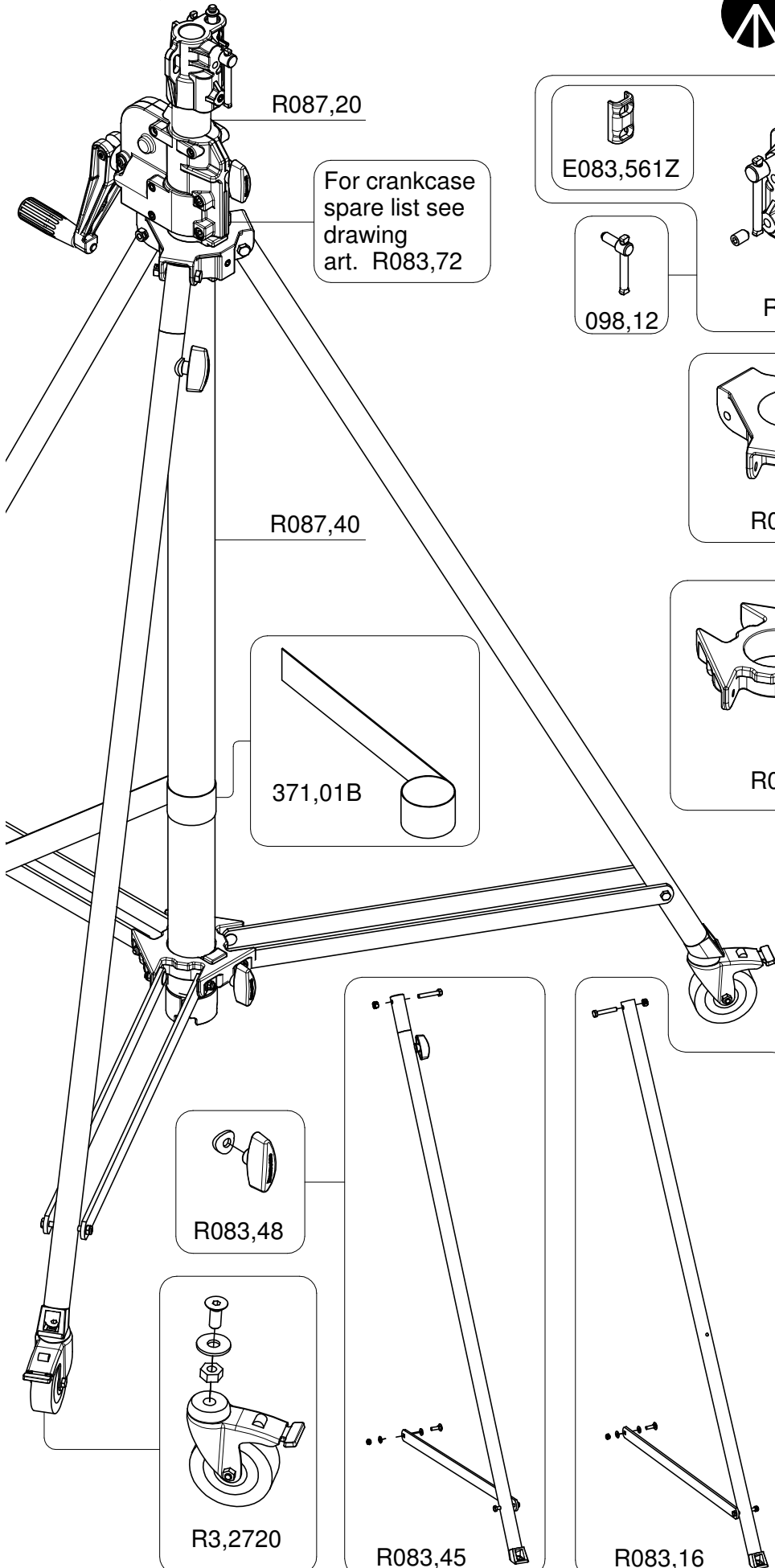




ART. 083NWY

For serial number
from XXXXXX

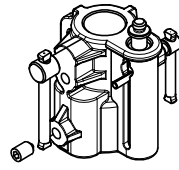


R087,20

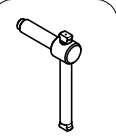
For crankcase
spare list see
drawing
art. R083,72



E083,561Z



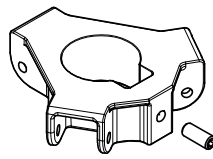
R083,60



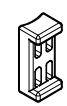
137,15



098,12

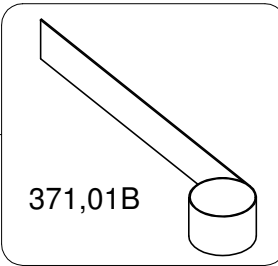


R069,66

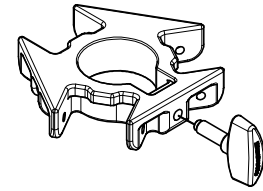


E069,509Z

R087,40



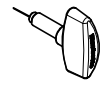
371,01B



R070,27



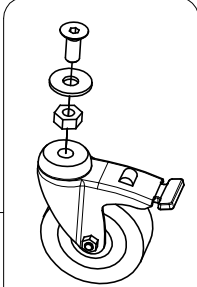
R069,75



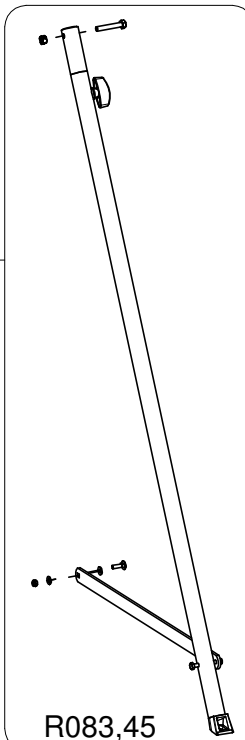
R069,31



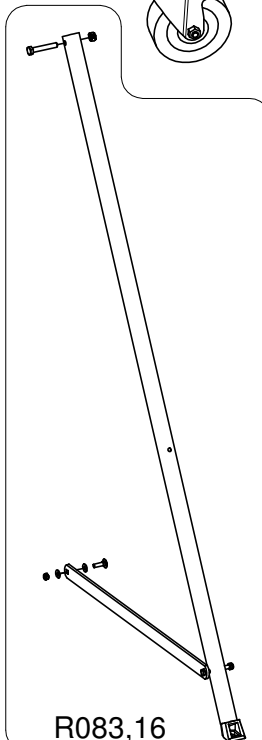
R083,48



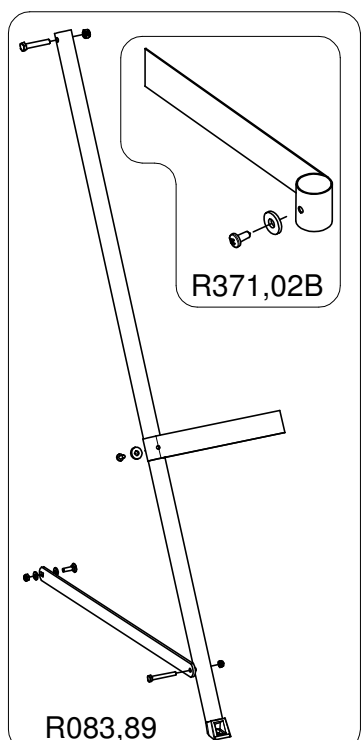
R3,2720



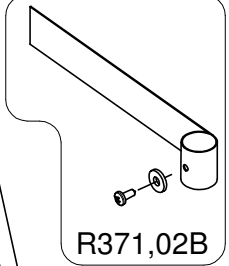
R083,45



R083,16



R083,89



R371,02B