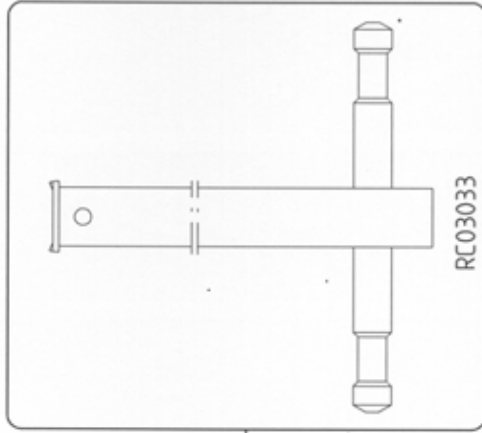
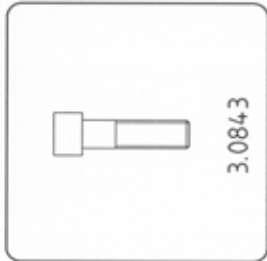


FOR TRUSS CLAMP
SPARE LIST
SEE DRAWING
ART. C310



C330

VERSION: 001
1998-06-01