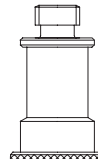
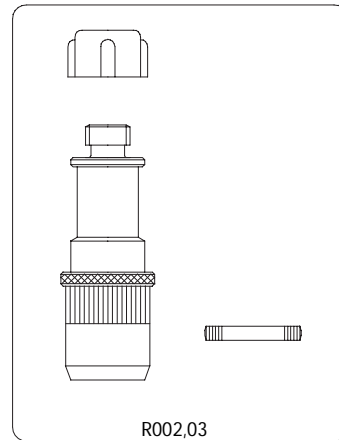


2005-09-30

3/8"UNC

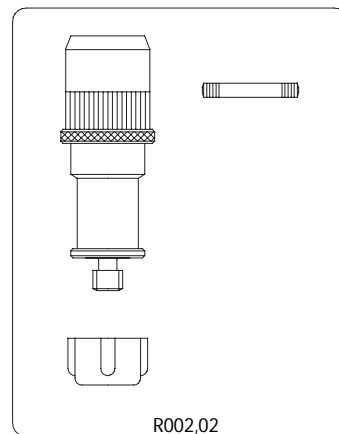


1/4"UNC



R002,03

R173,01B



R002,02